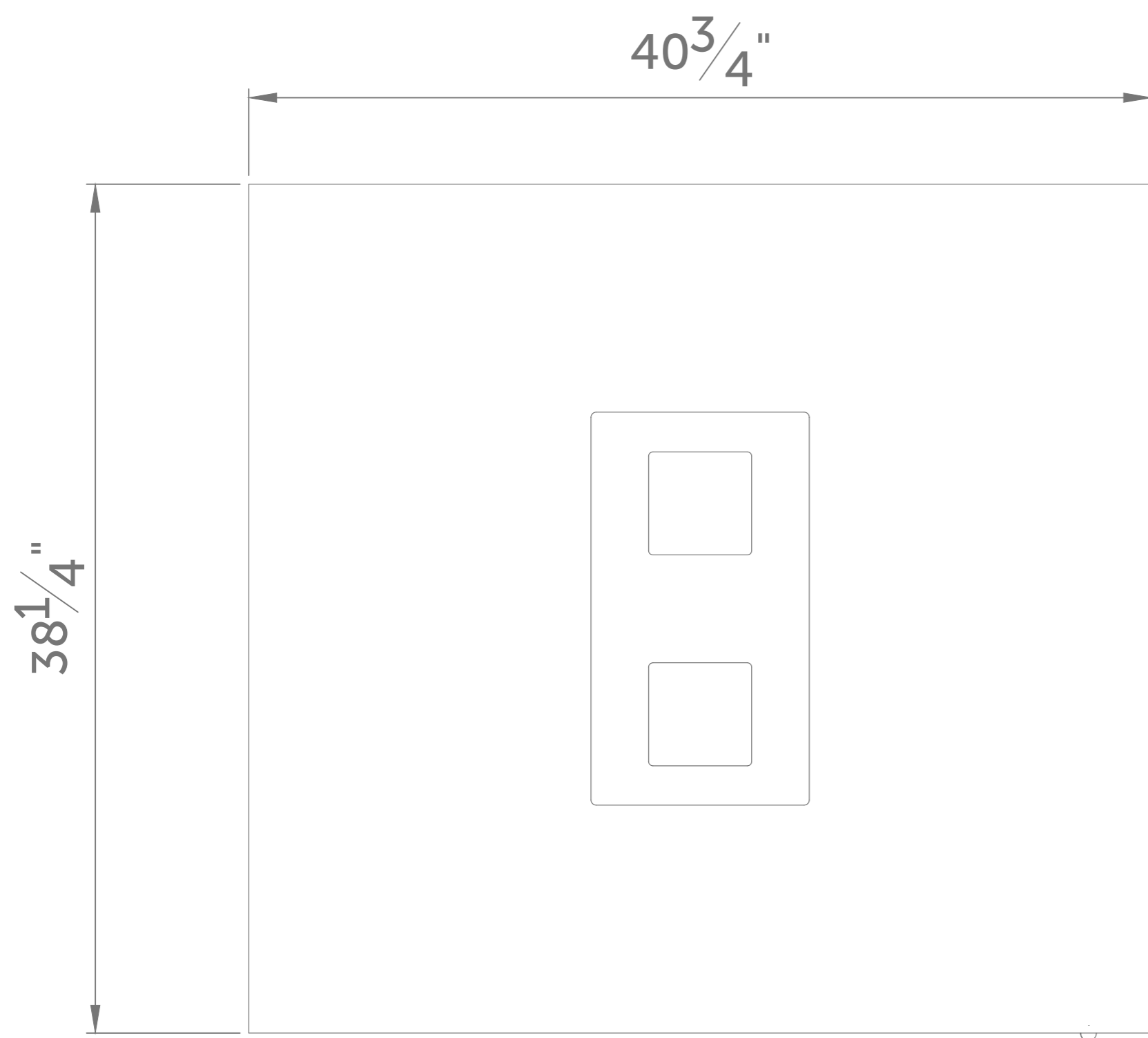
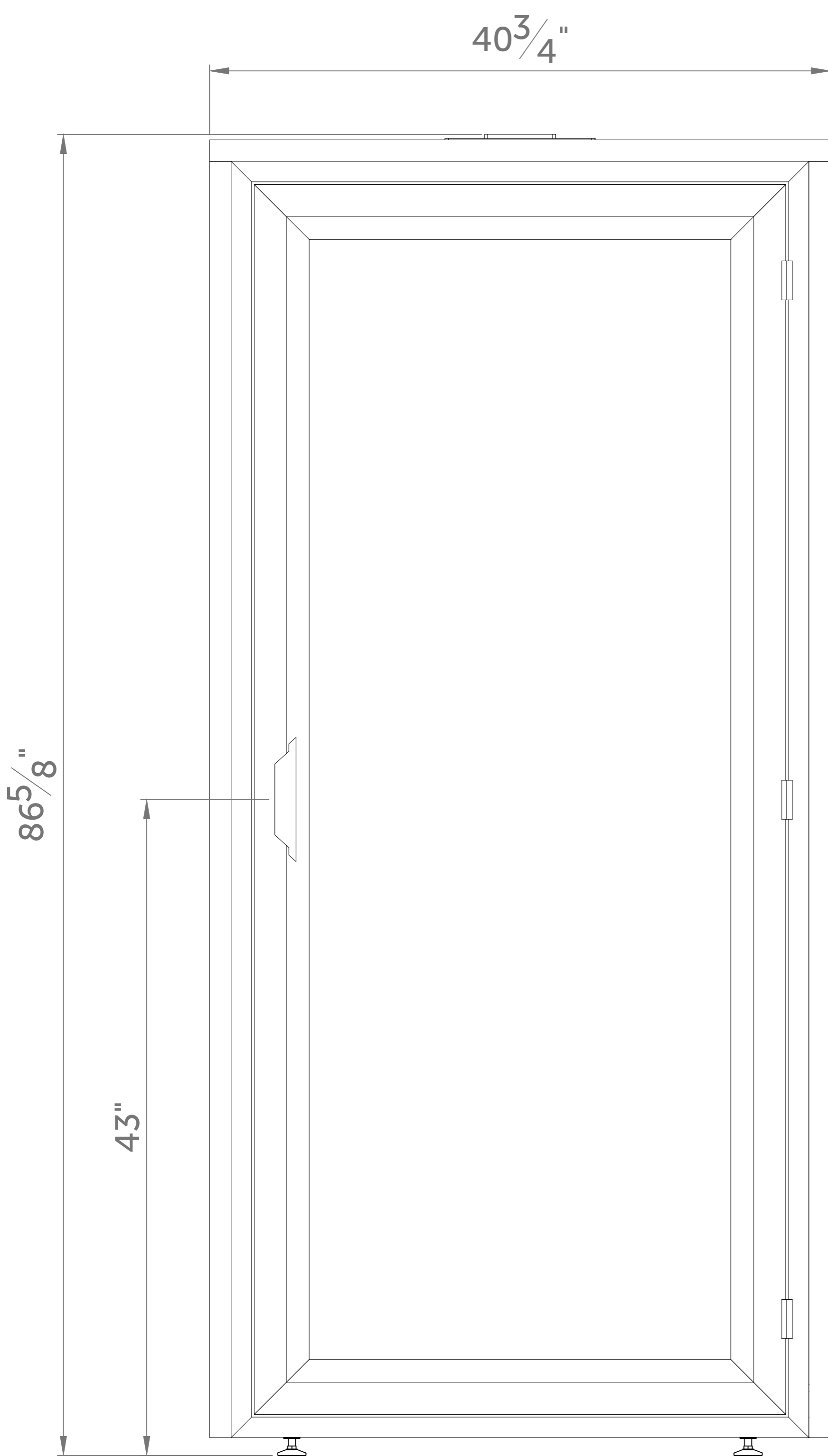


Dimensions

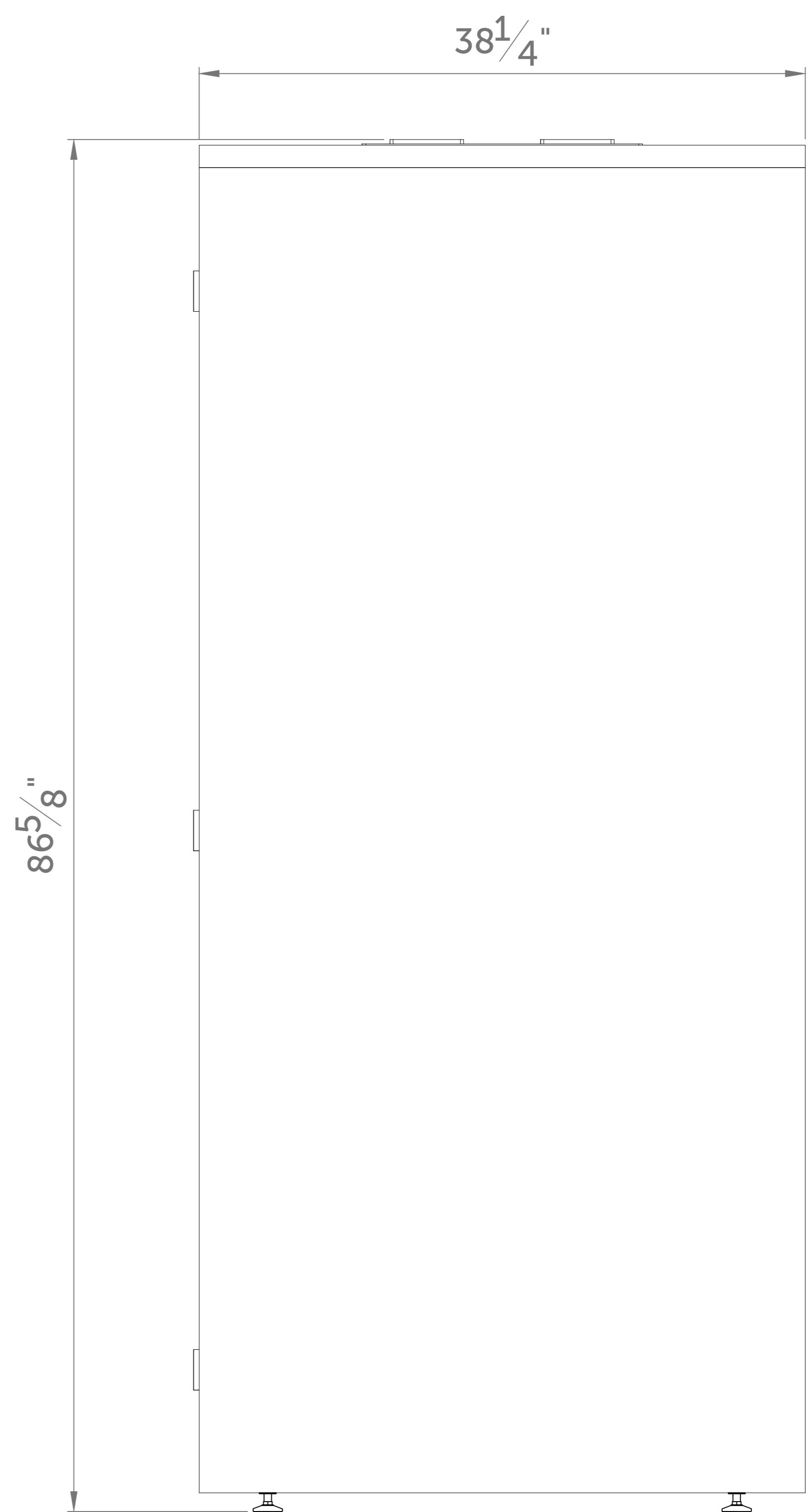
Overall dimensions



Top view

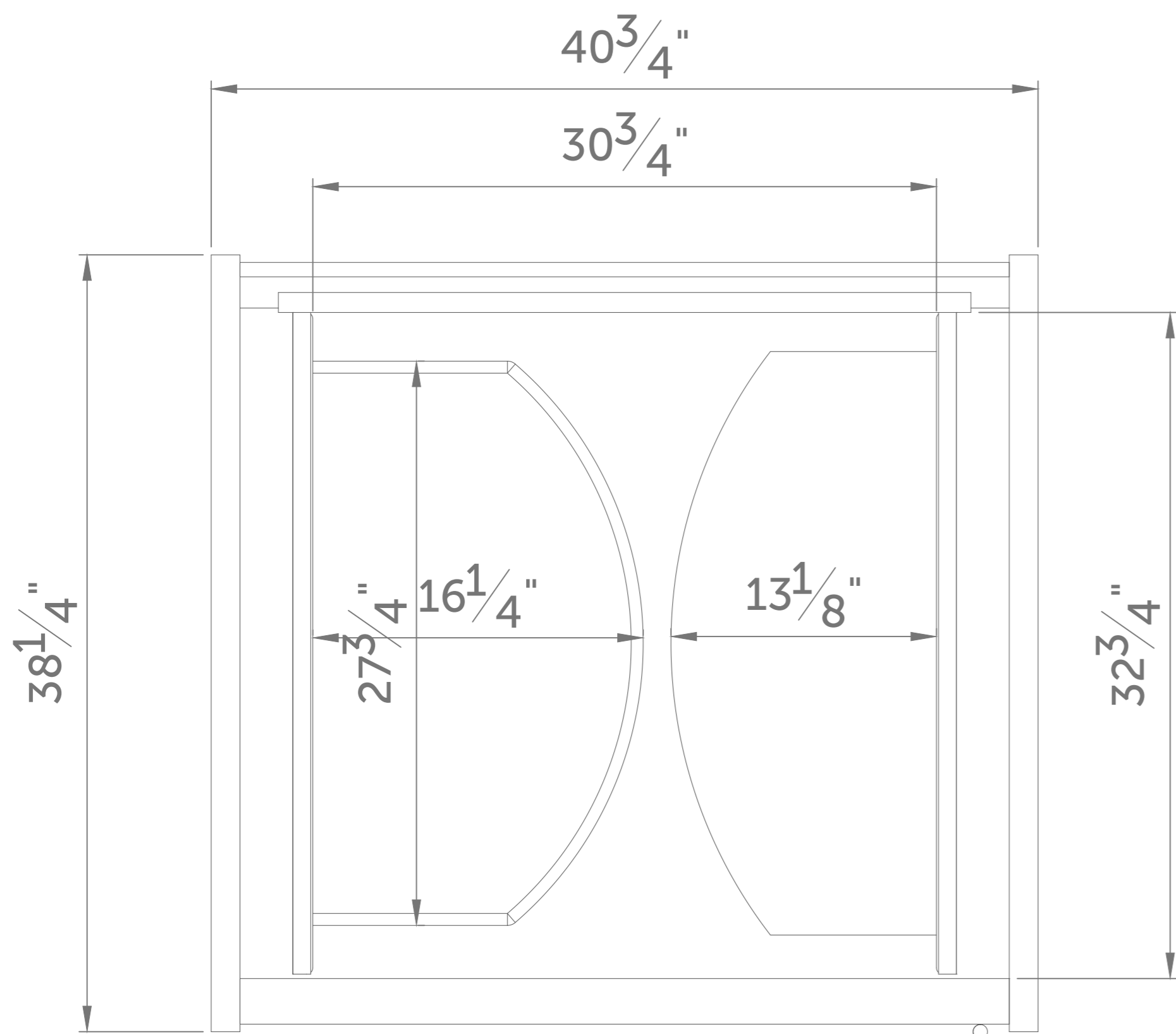


Front view

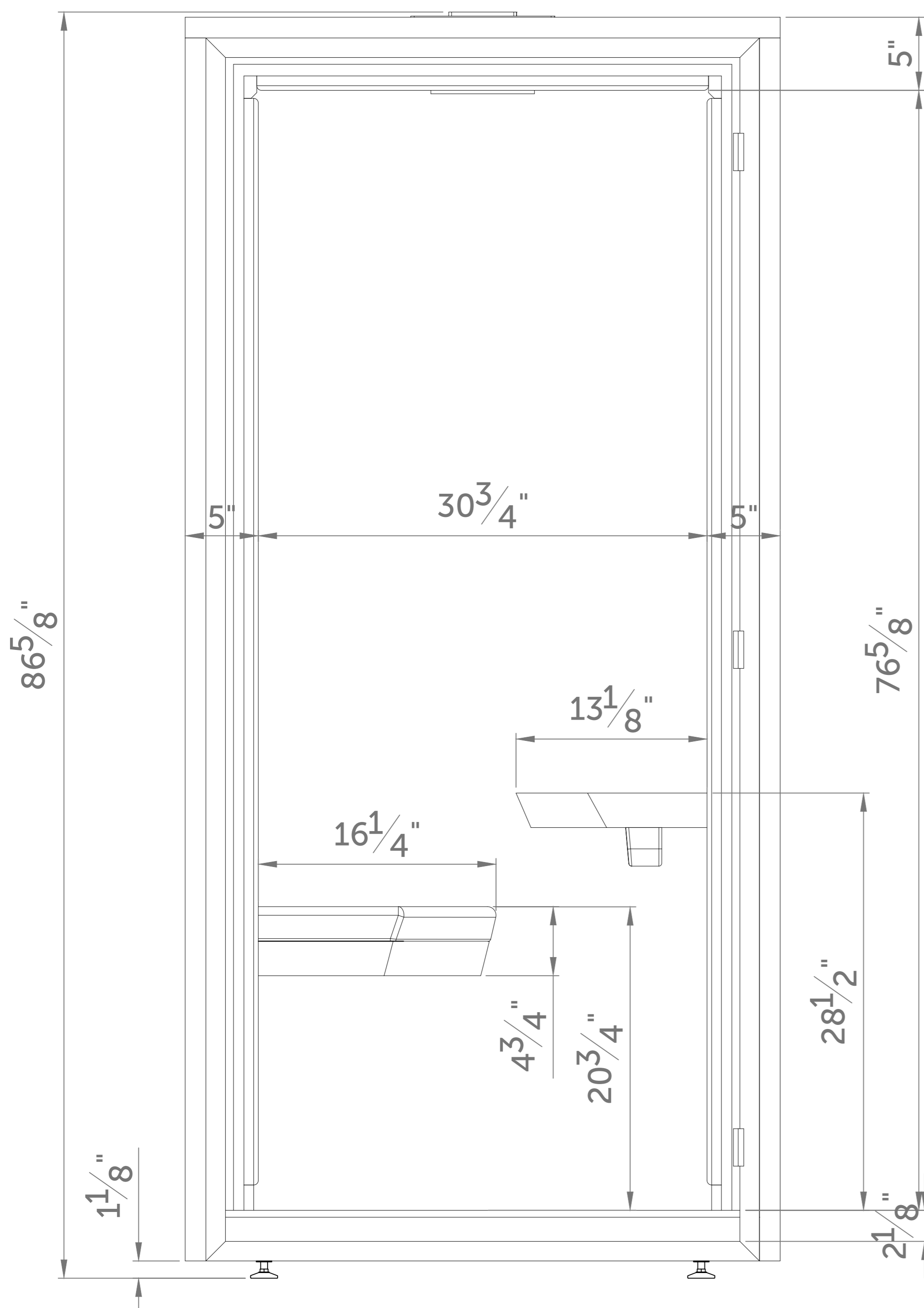


Side view

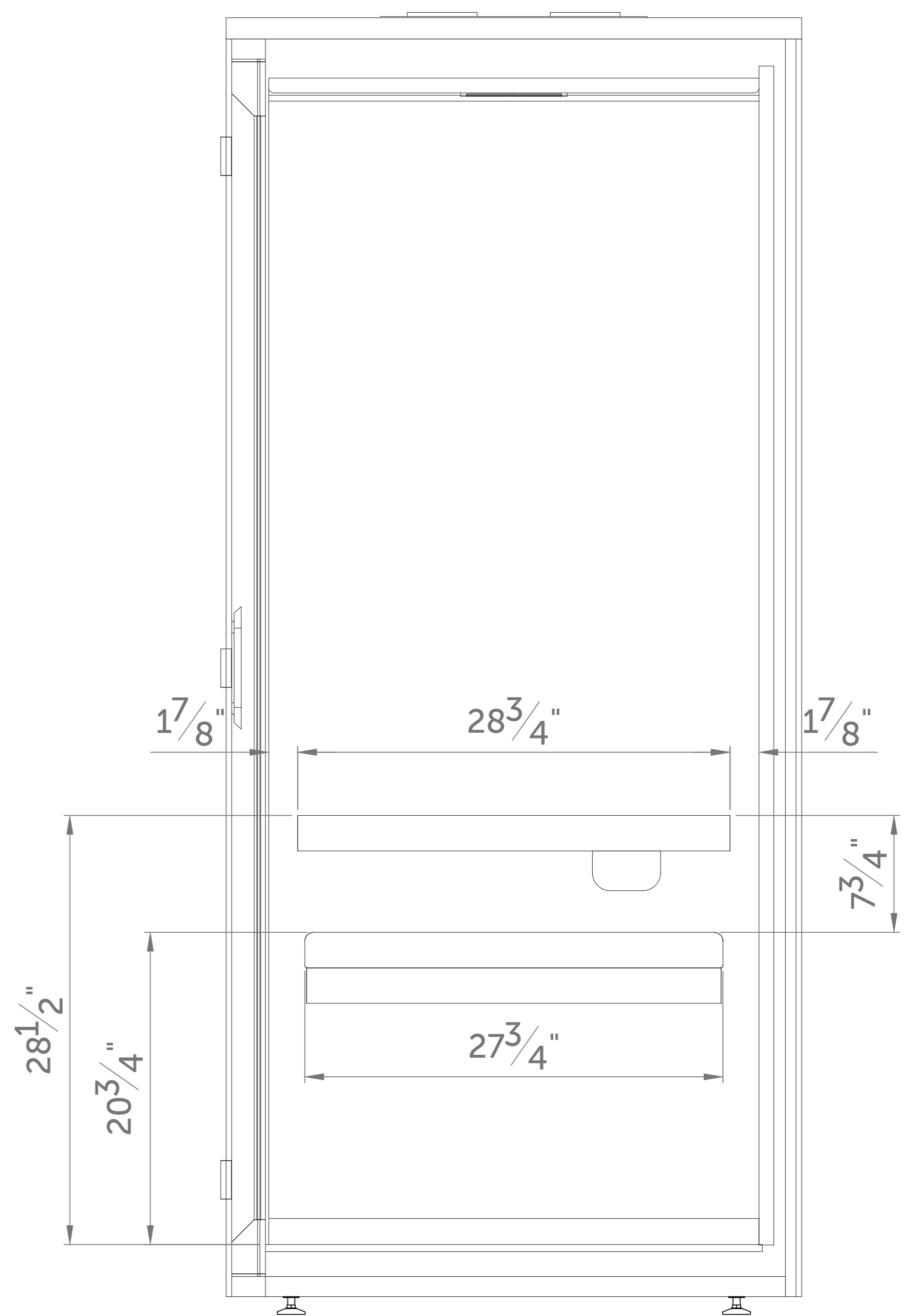
Internal dimensions



Top view



Front view



Side view